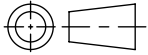
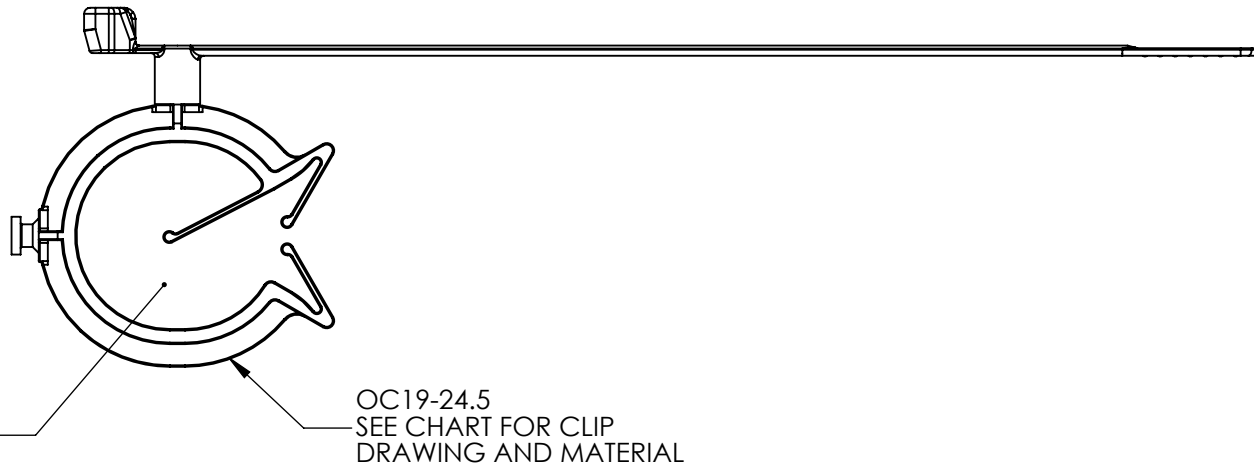
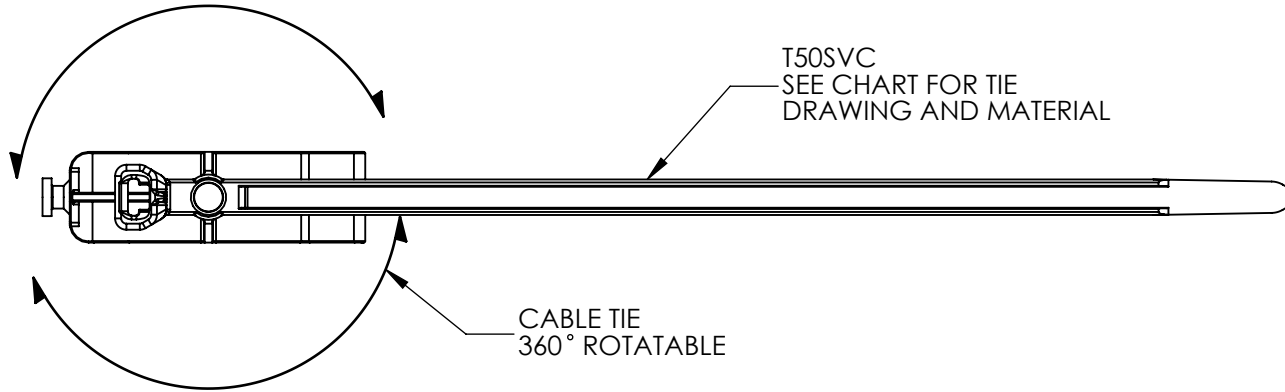


SW2011



Revision level			Revision Record	Changed	Date	Approved	Date
Drawing	State	Part					
01.1	Design Release	-	SEE ECN# 012883	AAC	11/18/14	KAC	11/18/14



TYPE	BUNDLE DIAMETER	CABLE TIE		CLIP	
		DRAWING	MATERIAL	DRAWING	MATERIAL
T50SVCOC19-24.5	2 to 35	14-0606-001-CSU	PA66HS	05-0046-001-CSU	PA66IMHS

Material SEE CHART	Units: millimeters	The copyright of this drawing is reserved by HellermannTyton. It is issued on condition that it is not reproduced, copied, or disclosed to a third party, either wholly or in part, without the consent of HellermannTyton.	Drawn	AAC	11/18/14	Article/Type-No	T50SVCOC19-24.5	Scale	1:1	
	Dimension without tolerances details to: .xxx = ±.013 .xx = ±.13 .x = ±.3 None = ±.8 ∠ = ±0.5° Dimension Formatted mm/[in]		Approved	KAC	11/18/14	Title	T50SVCOC19-24.5 T50SVC CABLE TIE WITH OMEGA CLIP 19-24.5	Project Number	PRP 05-0046	
	HellermannTyton North America			Drawing-No	05-0046-003-CSU		Production : Phase	Format	AH	
				Sheet			1/1			